

LED Downlight



Slim downlight is ultra-thin product for general lighting applications with limited build-in height, which is suitable for a series of Lighting applications in Office, Retail and General Area Lighting. Available in a wide variety of lumen packs, cut out size, color temp and dimming option.

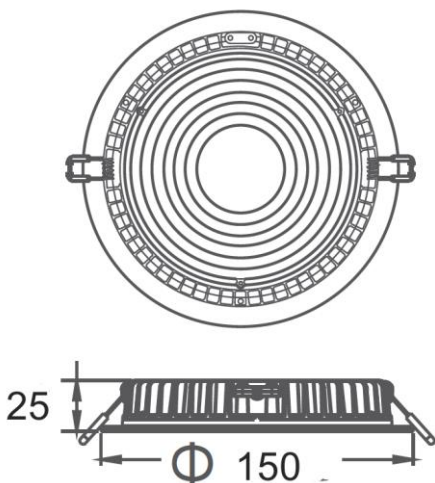
Benefits

- UV free, well designed heat dissipation.
- Adopt imported LED, high CRI, high efficiency, high illumination.
- Compact design for better integration with the building.
- Comfortable light with high efficiency
- Reliable performance for indoor applications

Technical Parameter

Model	QCOM-DL9W-830
Voltage	AC220~240V 50/60Hz
Wattage [W]	9W
Lumens [Lm]	900
Beam Angle	120°
Grade	IP40
Color Temperature	3000K
CRI	80Ra
Material	Aluminum
PF	0.5
Size [mm]	Dia150 x 25
SDCM	<6
Work Temperature	-20°C < ta < 40°C
Lifespan	25,000Hrs

Dimension



Photometrics

